

GO Series  
Single Lever Lavatory Faucet  
(Semi-tall Vessel)  
(w/ pop-up waste)



## Features

- Design Concept is Gorgeous and Organic.
- Long lasting, comfort glide mechanism for a smooth operation
- High corrosion resistance plating
- TOTO aerated water technology, ECOCAP adds air to the water to achieve full water jet with less amount of water usage.

## Specifications

Finish : Chrome

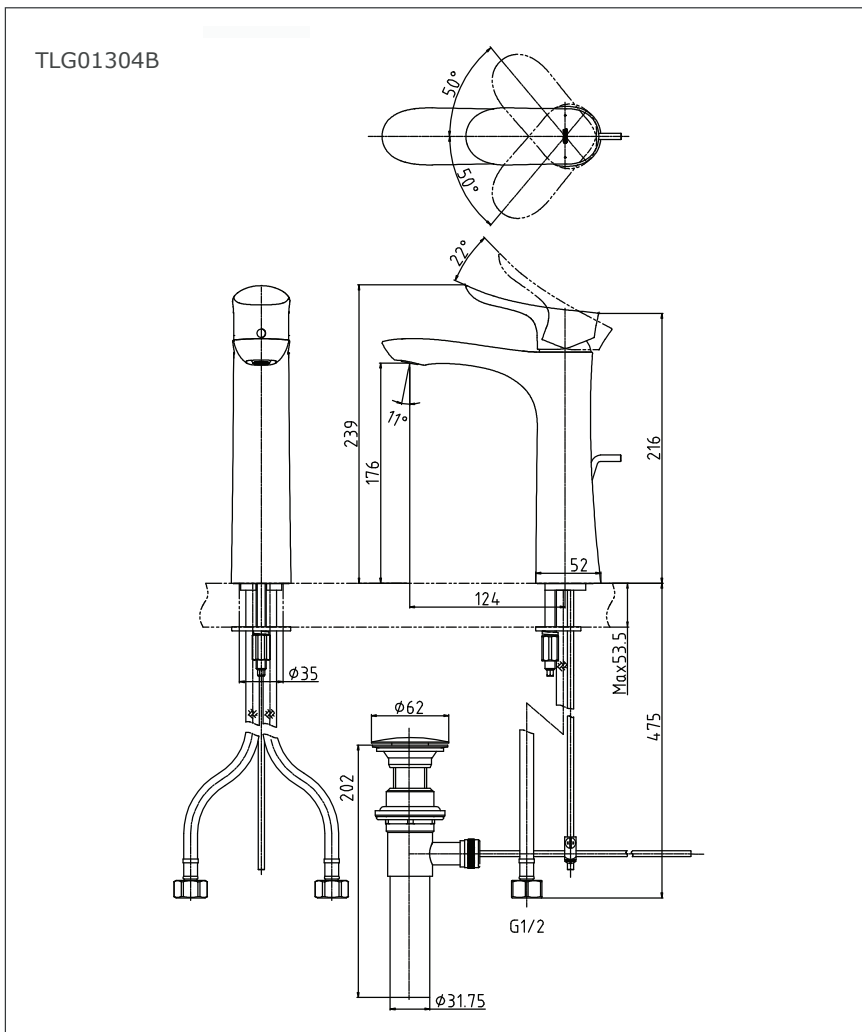
Material : Brass

Water Pressure : 0.05Mpa ~ 1.0Mpa

## Parts Description

- **TLG01304B**  
Single Lever Lavatory Faucet  
(Semi-tall Vessel)  
(w/ pop-up waste)

Please consult a TOTO representative for details



## Flow Rate

